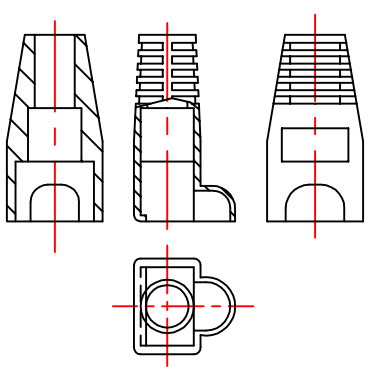
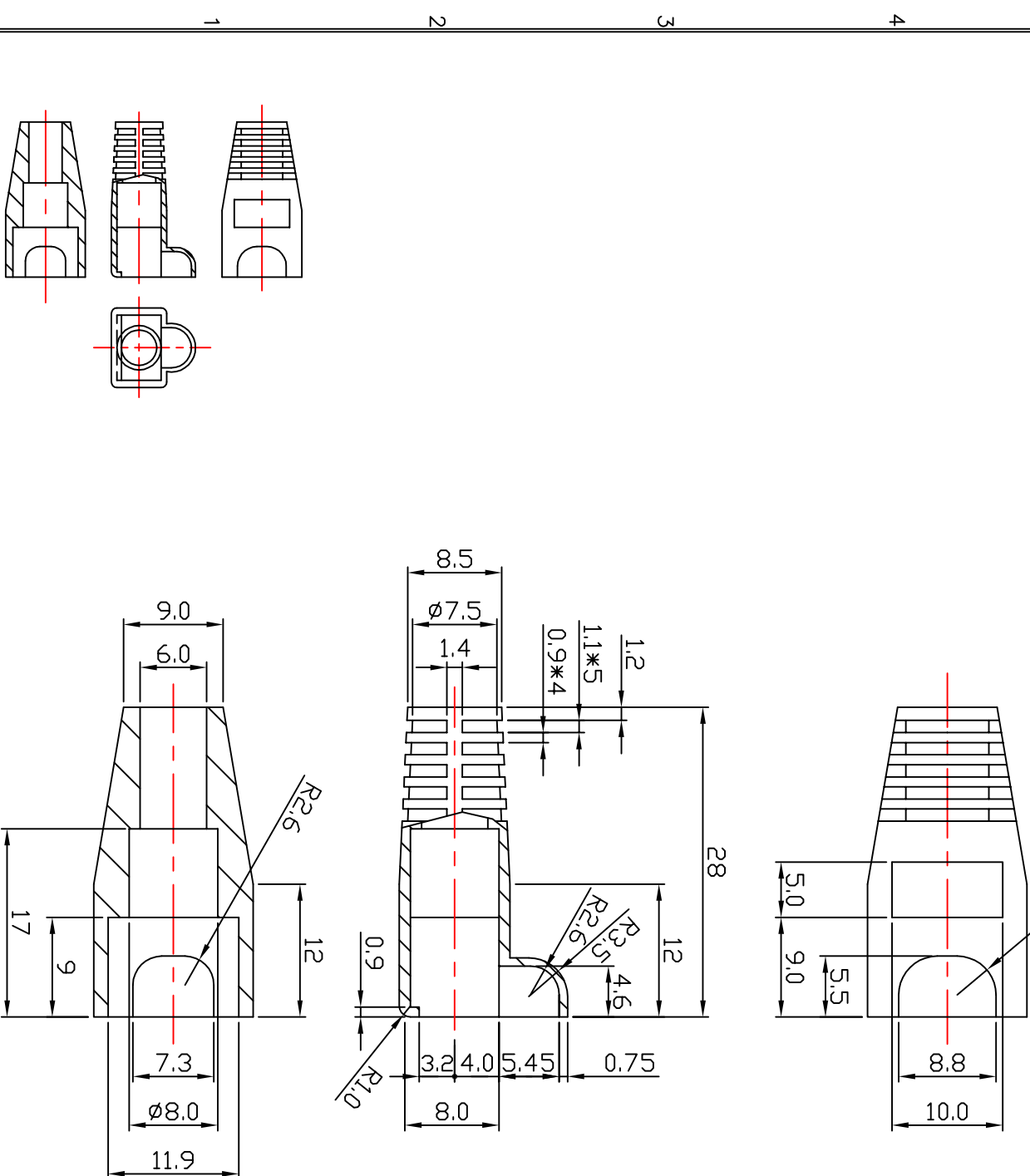


DATE BY	REVISION



DATE	7 APR, 1999	PARTS NO		TITLE:	RJ45 8P8C BOOT	DRAWN	Y.C.C	CHECK	APPRO
UNIT	MM	DRAWN NO	MD146			4/7			
SCALE		BUYER NO					ASSMANN ELECTRONICS, INC.		